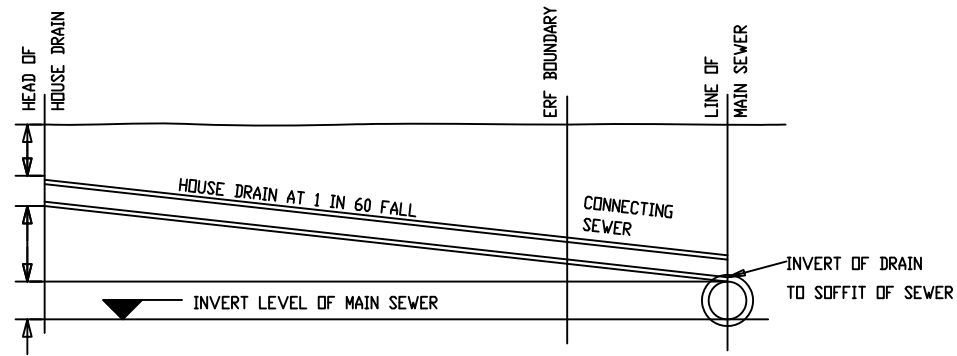
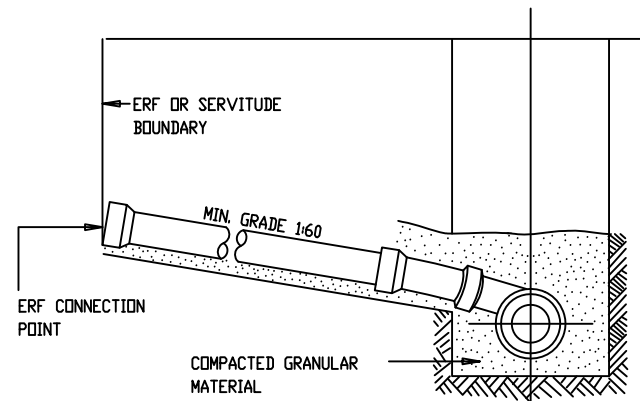


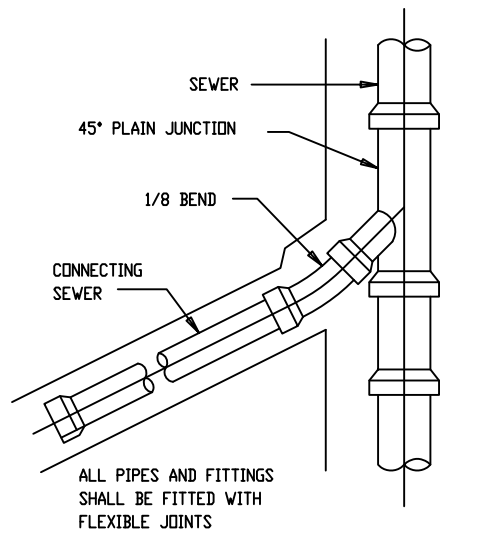
300mm MIN. COVER AT HEAD OF DRAIN  
 150mm TO ALLOW FOR DIAMETER AND THICKNESS OF DRAIN  
 FALL OF HOUSE DRAIN AT 1 IN 60  
 FALL OF HOUSE DRAIN AT 1 IN 60  
 DIAMETER OF MAIN SEWER



DIAGRAMMATIC ILLUSTRATION OF ELEMENTS IN DESIGN OF MAIN SEWER TO ACCOMMODATE HOUSE CONNECTIONS

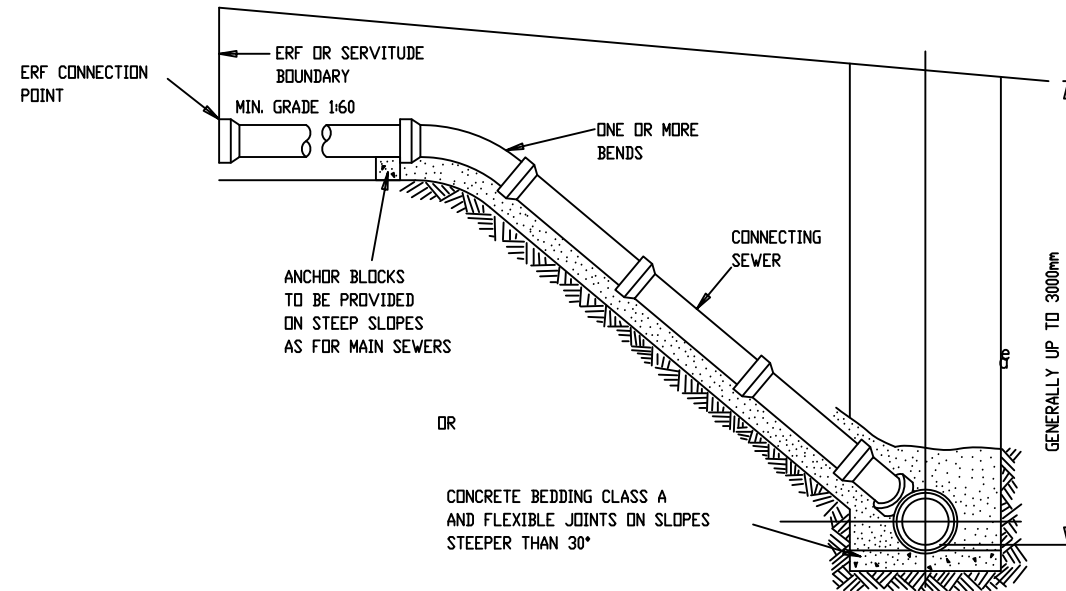


ELEVATION

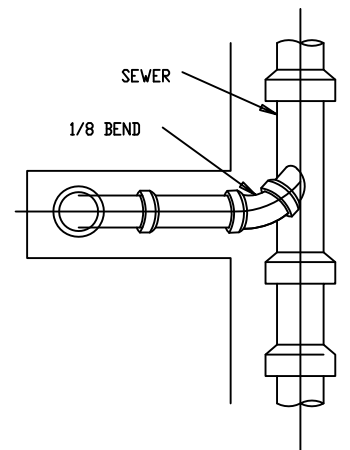


PLAN

CONNECTING SEWERS: DIRECT CONNECTION



ELEVATION B



PLAN

CONNECTING SEWERS: SLOPING DROP CONNECTIONS

NOTES:  
 SEWER CONNECTIONS TO COMPLY WITH SANS 1200 LD SPECIFICATIONS.

NOTES

No	Description	Date	By
REVISIONS			
Recommended by		Date	
Approved by		Date	
Drawn B.C. THERON	Designed B.C. THERON	Engineer	
Checked	Date OCT 2016		
Client App.	Date OCT 2016		

NOT TO SCALE



P.O. BOX 1392  
 BARBERTON  
 MPUMALANGA  
 1300  
 TEL: (013) 7124345  
 FAX: (086) 6715919

Client  
 W. JACOBS

Project  
 ERF 3535 SECUNDA  
 CIVIL SERVICES

Title  
 SEWER CONNECTIONS  
 TYPICAL DRAWINGS

Drawing No  
 ERF3535-S02

Rev No  
 0